

duoBRI PCI ISDN

Configuration Overview

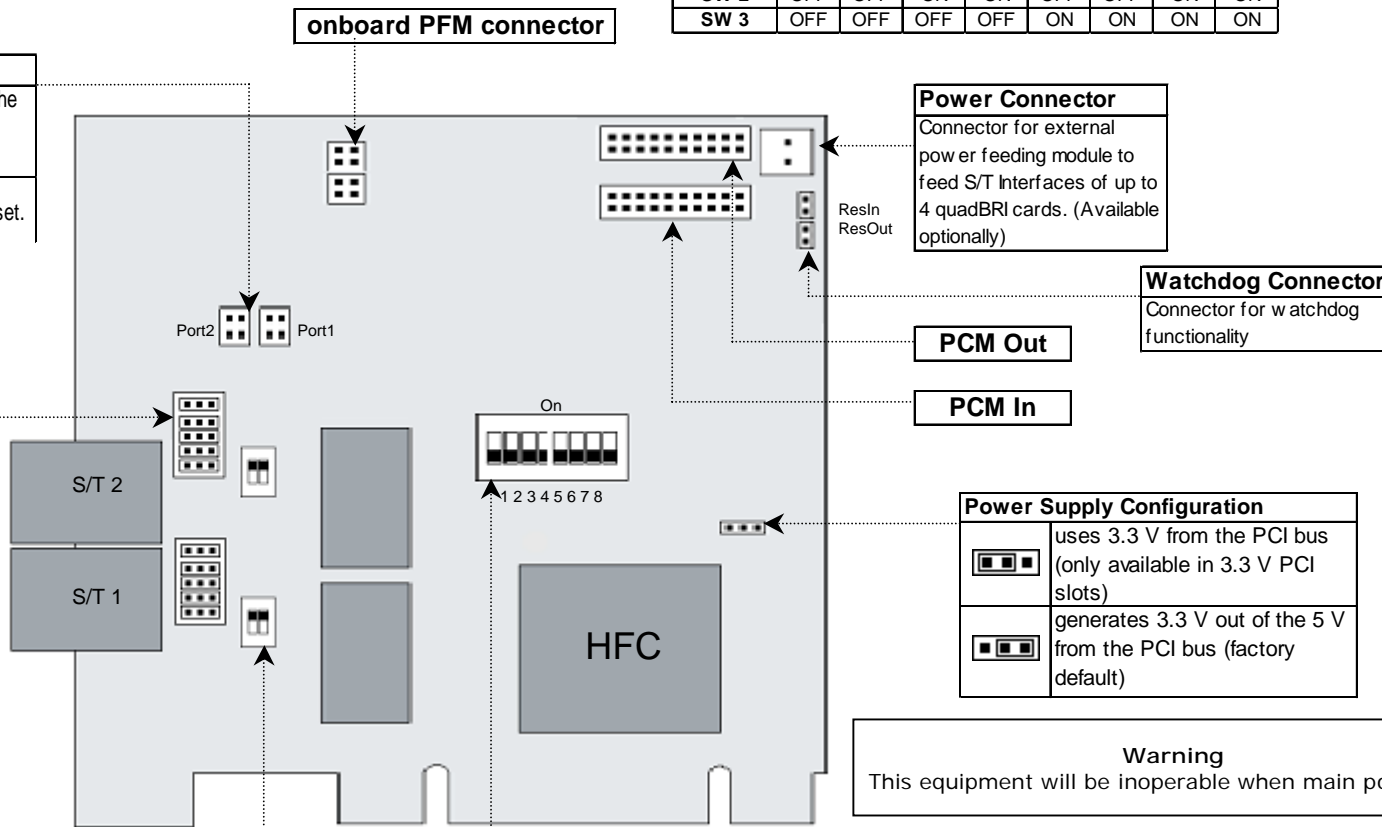
Card-ID	0	1	2	3	4	5	6	7
SW 1	OFF	ON	OFF	ON	OFF	ON	OFF	ON
SW 2	OFF	OFF	ON	ON	OFF	OFF	ON	ON
SW 3	OFF	OFF	OFF	OFF	ON	ON	ON	ON

Power Feeding (only for NT Mode)	
	Power feeding enabled for the corresponding port if the corresponding port if jumpers set (PFM required)
	Not powered if no jumpers set.

NT/TE Settings	
	Set all jumpers to the left to select NT mode for this port.
	Set all jumpers to the right to select TE mode for this port.

Termination of S/T Interface (100 Ω)	
	Both Switches in ON Position : Termination = ON
	Both Switches in OFF Position : Termination = OFF

Card ID switches
DIP switches 1 to 3 can be used to set the card ID (very useful for remotely identifying individual cards)



Power Supply Configuration	
	uses 3.3 V from the PCI bus (only available in 3.3 V PCI slots)
	generates 3.3 V out of the 5 V from the PCI bus (factory default)

Warning
This equipment will be inoperable when main power fails

