

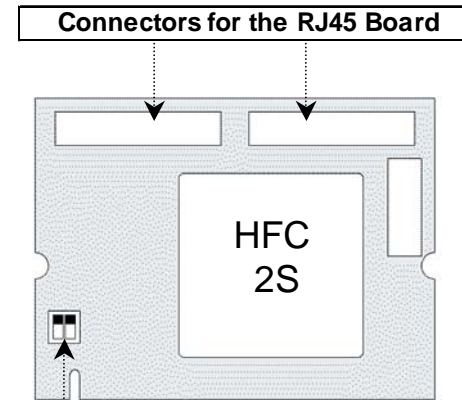
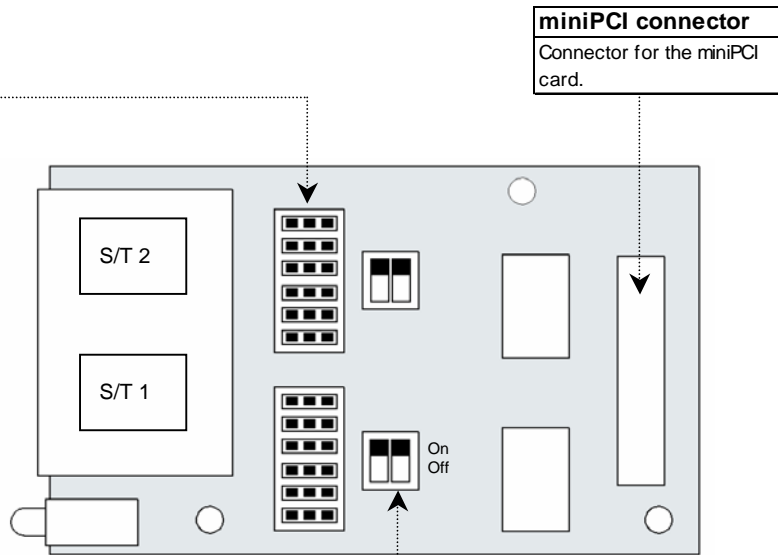
duoBRI miniPCI ISDN

Configuration Overview

NT/TE Settings

Set all jumpers to the left to select NT mode for this port.

Set all jumpers to the right to select TE mode for this port.



Card ID switches
DIP switches 1 to 3 can be used to set the card ID (very useful for remotely identifying individual cards)

Card-ID	0	1	2	3
SW 1	OFF	ON	OFF	ON
SW 2	OFF	OFF	ON	ON

Termination of S/T Interface (100 Ω)

Both Switches in ON
Position : Termination = ON

Both Switches in OFF
Position : Termination = OFF

Warning
This equipment will be inoperable when main power fails

