
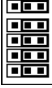

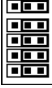

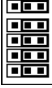




















NT/TE settings port X					
JP1-8	<table border="0"> <tr> <td></td> <td>Set all jumpers to the left to select NT mode for port X</td> <td></td> <td>Set all jumpers to the right to select TE mode for port X</td> </tr> </table>		Set all jumpers to the left to select NT mode for port X		Set all jumpers to the right to select TE mode for port X
	Set all jumpers to the left to select NT mode for port X		Set all jumpers to the right to select TE mode for port X		
Power feeding port X (only for NT mode)					
JP9-12	<table border="0"> <tr> <td></td> <td>Power feeding enabled for port X (PFM required)</td> <td></td> <td>Power feeding disabled for port X (factory default)</td> </tr> </table>		Power feeding enabled for port X (PFM required)		Power feeding disabled for port X (factory default)
	Power feeding enabled for port X (PFM required)		Power feeding disabled for port X (factory default)		
Power supply configuration					
JP13	<table border="0"> <tr> <td></td> <td>Uses 3.3V from the PCI bus (only available in 3.3V PCI slots)</td> <td></td> <td>Generates 3.3V out of the 5V from the PCI bus (factory default)</td> </tr> </table>		Uses 3.3V from the PCI bus (only available in 3.3V PCI slots)		Generates 3.3V out of the 5V from the PCI bus (factory default)
	Uses 3.3V from the PCI bus (only available in 3.3V PCI slots)		Generates 3.3V out of the 5V from the PCI bus (factory default)		

Termination of S/T interface port X (100Ω)																																					
SW1-8	<table border="0"> <tr> <td></td> <td>Both switches in ON position activates termination for port X</td> <td></td> <td>Both switches in OFF position deactivates termination for port X</td> </tr> </table>		Both switches in ON position activates termination for port X		Both switches in OFF position deactivates termination for port X																																
	Both switches in ON position activates termination for port X		Both switches in OFF position deactivates termination for port X																																		
Card ID switches																																					
Use DIP switches 1 to 3 to set the card ID (very useful for remotely identifying individual cards):																																					
SW9	<table border="1"> <thead> <tr> <th>Card-ID</th> <th>0</th> <th>1</th> <th>2</th> <th>3</th> <th>4</th> <th>5</th> <th>6</th> <th>7</th> </tr> </thead> <tbody> <tr> <td>SW9_1</td> <td>OFF</td> <td>ON</td> <td>OFF</td> <td>ON</td> <td>OFF</td> <td>ON</td> <td>OFF</td> <td>ON</td> </tr> <tr> <td>SW9_2</td> <td>OFF</td> <td>OFF</td> <td>ON</td> <td>ON</td> <td>OFF</td> <td>OFF</td> <td>ON</td> <td>ON</td> </tr> <tr> <td>SW9_3</td> <td>OFF</td> <td>OFF</td> <td>OFF</td> <td>OFF</td> <td>ON</td> <td>ON</td> <td>ON</td> <td>ON</td> </tr> </tbody> </table>	Card-ID	0	1	2	3	4	5	6	7	SW9_1	OFF	ON	OFF	ON	OFF	ON	OFF	ON	SW9_2	OFF	OFF	ON	ON	OFF	OFF	ON	ON	SW9_3	OFF	OFF	OFF	OFF	ON	ON	ON	ON
Card-ID	0	1	2	3	4	5	6	7																													
SW9_1	OFF	ON	OFF	ON	OFF	ON	OFF	ON																													
SW9_2	OFF	OFF	ON	ON	OFF	OFF	ON	ON																													
SW9_3	OFF	OFF	OFF	OFF	ON	ON	ON	ON																													

CON1	PCM out
CON2	PCM in
CON3	Onboard PFM connector (available optionally)
CON4	Power connector Connector for the external power feeding module to feed S/T interfaces of up to 4 duo- or quadBRI cards (available optionally)
CON5	Watchdog connector out Connect to reset switch on mainboard
CON6	Watchdog connector in Connect to reset switch on PC chassis